



Since 1995, we focus on switches

DB-14 系列电源插座

Rating:

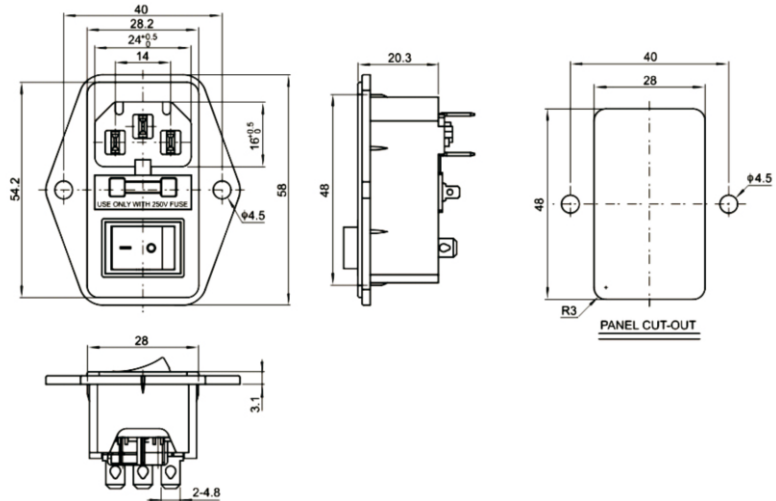
15A 250V AC T105   Approval

10A 250V AC     Approval

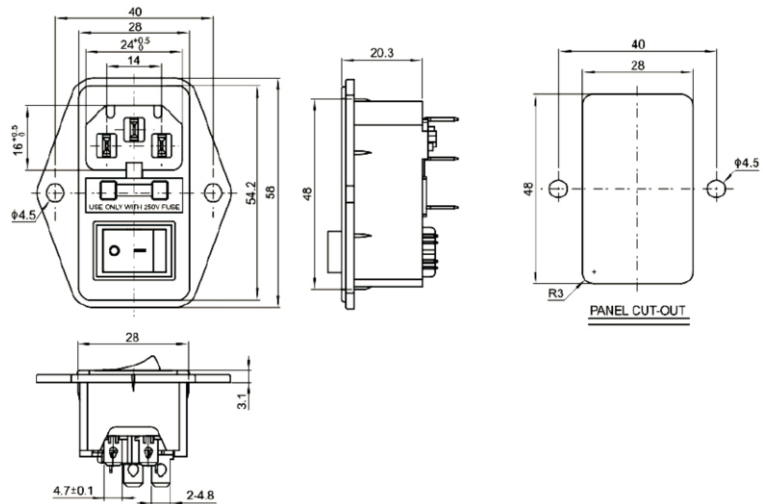
Insulation resistance: 100MΩ(min)500V DC

Dielectric withstand voltage: 2500V AC 5s Between terminals

DB-14-F5



DB-14-F6



DB-14-F3

