


DB-14 系列电源插座

Rating:

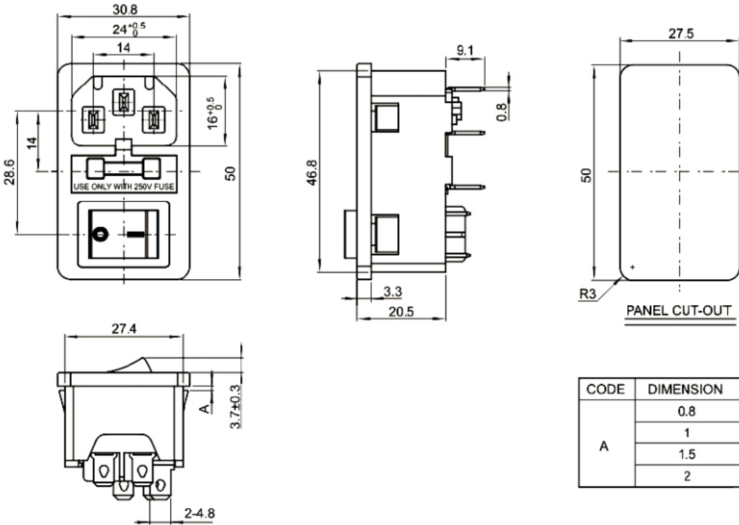
15A 250V AC T105  Approval

10A 250V AC  Approval

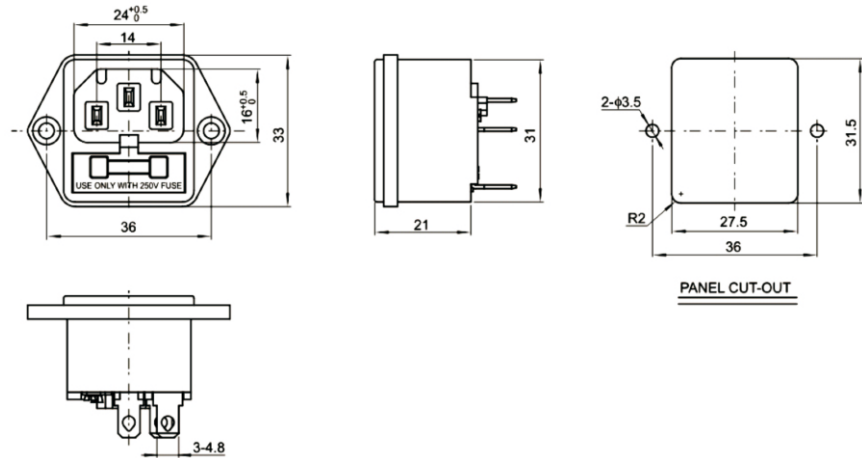
Insulation resistance: 100MΩ(min) 500V DC

Dielectric withstand voltage: 2500V AC 5s Between terminals

DB-14-F4



DB-14-F1



DB-14-F2

